

AHS01IB Water Vapor Sensor



1. Product Summary

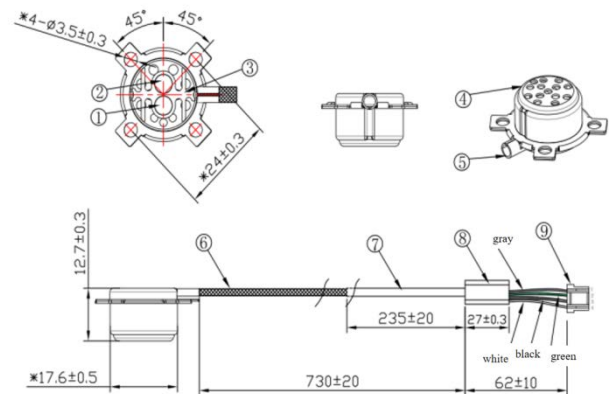
AHS01IB is a water vapor sensor independently developed by Aosong. This sensor has good features such as fast response time, wide temperature working range, high accuracy, fully calibration, etc. Inside AHS01IB, a humidity detection sensor is connected with a high-performance CMOS microprocessor integrated with 24-bit AD. This sensor has various advantages like high quality, strong anti-interference ability yet with very competitive price.

AHS01IB has digital I²C output. Its small size and low power consumption make AHS01IB can be used in high demanding scenarios.

2. Key Features

- ◆ Power supply: 5V DC
- ◆ Working temperature: -5~+150°C
- ◆ Digital I²C output
- ◆ Excellent long-term stability
- ◆ Long life time

3. Dimension



Unit: mm

4. Technical Parameters

Working voltage	4.75~5.25V
Repeatability	±5%
Measurement range	0~130g/m ³ (in 1 atm)
Accuracy	±200(true value)
Stabilize time	8±5s

5. Applications

AHS01IB water vapor sensor can be used in many fields such as humidity control of microwave ovens, humidity detection of clothes dryers, intelligent humidity control of ovens, industrial measurement, humidity control of air conditioners, physical and chemical instruments, humidity detection of steam baths, etc.



Guangzhou Aosong Electronic Co., Ltd.

Add: No.17, Yunjun Road, Huangpu District, Guangzhou, China

Tel: +86 20-89850036 Fax: +86 20-89852796

Email: inquiry@aosong.com

Web: www.aosong.com/en, www.asairsensors.com