



Pressure transmitter

# Huba Control

## OEM relative and absolute pressure transmitter

### Type 511

Type 511 pressure transmitters meet the highest specifications for longevity, accuracy, temperature stability and EMC characteristics, making them suitable for an extremely wide range of demanding industrial applications.



**Pressure range**  
**-1 ... 0 – 600 bar**

- + Compact, rugged construction for highest operational reliability
- + No media egress when exceeding rupture pressure
- + Negligible temperature influence on accuracy
- + Excellent EMC capacity
- + Saving time by quick cable mounting by the customer with swift connector

## Technical overview

### Pressure range

|          |                    |
|----------|--------------------|
| Relative | -1 ... 0 – 600 bar |
| Absolute | 0 ... 25 bar       |

### Operating conditions

|   |                       |                         |                                  |
|---|-----------------------|-------------------------|----------------------------------|
| Medium  |                       | Liquids and gases       |                                  |
| Temperature   | Ambient <sup>1)</sup> | FPM                     | -15 ... +125 °C                  |
|   |                       | EPDM                    | -40 ... +150 °C (UL max. 125 °C) |
|   |                       | NBR                     | -25 ... +125 °C                  |
|   |                       | ration. output, AMP JPT | -25 ... +85 °C                   |
|   |                       | all other versions      | max. +125 °C                     |
| Tolerable overload / Rupture pressure <sup>2)</sup> | < 6                   | 3.0 x fs                |                                  |
|   | ≥ 6                   | 2.5 x fs (max. 900 bar) |                                  |

### Materials

|                                      |                     |  |
|--------------------------------------|---------------------|--|
| Case                                 |                     | Stainless steel 1.4305 / AISI 303            |
| Materials in contact with the medium | Pressure connection | Stainless steel 1.4305 / AISI 303            |
|                                      | Sensor              | Ceramic Al <sub>2</sub> O <sub>3</sub> (96%) |
|                                      | Media stop system   | PPS  |
|                                      | Sealing material    | FPM, EPDM, NBR, FPM spec.                    |

### Media stop system

Huba-patented media stop system to prevent media egress when exceeding rupture pressure range (> 40 bar nominal value).

### Electrical overview

|                    |  |                 |   |                                   |
|--------------------|--|-----------------|---|-----------------------------------|
| 2 wire             | Output   | Power supply    | Load  | Current consumption <sup>4)</sup> |
|                    | 4 ... 20 mA  | 8.0 ... 33 VDC  | < $\frac{\text{supply voltage} - 5V}{602 \Omega}$ (Ohm) | < 20 mA                           |
|                    | 0 ... 5 V  | 8.0 ... 33 VDC  | >10 kOhm / < 100 nF                                     | < 4 mA                            |
|                    | 1 ... 6 V  | 8.0 ... 33 VDC  | >10 kOhm / < 100 nF                                     | < 4 mA                            |
| 3 wire             | 0 ... 10 V   | 11.4 ... 33 VDC | >10 kOhm / < 100 nF                                     | < 4 mA                            |
|                    | 0 ... 10 V   | 24 VAC ±15%     | >10 kOhm / < 100 nF                                     | < 4 mA                            |
|                    | ration. 10 ... 90%   | 5 VDC ±5%       | >10 kOhm / < 100 nF                                     | < 4 mA                            |
|                    | Polarity reversal protection    Short circuit proof and protected against polarity reversal. Each connection is protected against crossover up to max. supply voltage. |                 |   |                                   |
| Insulation voltage |  |                 | standard  | 500 VDC                           |
|                    |  |                 | optional  | 1000 VDC                          |

### Dynamic response

|               |                   |
|---------------|-------------------|
| Response time | < 2 ms, typ. 1 ms |
| Load cycle    | < 100 Hz          |

### Protection standard

|                                    |       |
|------------------------------------|-------|
| With connector DIN EN 175301-803-C | IP 65 |
| All other versions                 | IP 67 |

### Electrical connection

Cable 1.5 m  
 Swift connector  
 Connector AMP (Junior power time)  
 Connector M12x1 plastic thread  
 Connector M12x1 metal thread  
 Connector DIN EN 175301-803-C (industrial standard 9.4 mm)

### Pressure connection

|                |   |
|----------------|---|
| Inside thread  | G ¼ with O-Ring seal                      |
|                | G ¼ sealed at back, DIN EN ISO 1179-2     |
|                | G ½ sealed at front                       |
|                | G ½ sealed at back and manometer (combi)  |
| Outside thread | ¼ -18 NPT                                 |
|                | R ¼ EN 10226                              |
|                | M12x1.5 sealed at back, DIN EN ISO 1179-2 |
|                | M14x1.5 sealed at back, DIN EN ISO 1179-2 |

### Installation arrangement

Unrestricted

### Tests / Admissions

|                                    |  |
|------------------------------------|--|
| Electromagnetic compatibility      | CE conformity acc. EN 61326-2-3  |
| UL                                 | acc. Standard 61010-1  |
| Shock acc. IEC 60068-2-27          | 100 g, 11 ms half sine wave, all 6 directions. Free fall from 2 m on concrete (6x)           |
| Constant shock acc. IEC 60068-2-29 | 40 g for 6 ms, 1000x all 3 directions  |
| Vibration acc. IEC 60068-2-6       | 20 g, 2 ... 2000 Hz with amplitude ± 15 mm, 1 Octave/min. all 3 directions, 50 constant load |

### Weight

|                             |        |
|-----------------------------|--------|
| Version with inside thread  | ~ 85 g |
| Version with outside thread | ~ 95 g |

### Packaging (Please state on order)

|  |                        |
|--|------------------------|
| Single packaging in cardboard            | accessories integrated |
| Multiple packaging in cardboard (25 pcs) | accessories integrated |

<sup>1)</sup> Version until +150 °C on request

<sup>2)</sup> higher overload and rupture pressure on request

<sup>3)</sup> at nominal pressure

## Accuracy

| Parameter  |      | Unit     |        |
|--|------|----------|--------|
| Tolerance zero point                             | max. | % fs     | ± 0.3  |
| Tolerance full scale                             | max. | % fs     | ± 0.3  |
| Resolution                                       |      | % fs     | 0.1    |
| Total of linearity, hysteresis and repeatability | max. | % fs     | ± 0.3  |
| Long term stability acc. DIN EN 60770            |      | % fs     | ± 1.0  |
| TC zero point <sup>1)</sup>                      | max. | % fs/10K | ± 0.15 |
| TC sensitivity <sup>1)</sup>                     | typ. | % fs/10K | ± 0.15 |

Test conditions: 25 °C, 45% RH, power supply 24 VDC  
TC z.p. / TC s. -40 ... +125 °C

## Order code selection table in bar

|   |   | 1   | 2   | 3 | 4 | 5 | 6 | 7   | 8   | 9   | 10 |     |
|---|---|---|---|---|---|---|---|-----|-----|-----|----|-----|
|   |   | 511.  | X   | X | X | X | X | X   | X   | X   | X  |     |
| <b>Pressure mode</b>  | Relative  | 9   |   |   |   |   |   |     |     |     |    |     |
|   | Absolute  | 8   |   |   |   |   |   |     |     |     |    |     |
| <b>Pressure range <sup>2)</sup></b>   | -1 ... 0 bar  | 9   | 0   | 0 |   |   |   |     |     |     |    |     |
|   | 0 ... 1 bar   |   | 1   | 1 |   |   |   |     |     |     |    |     |
|   | 0 ... 1.6 bar   |   | 1   | 2 |   |   |   |     |     |     |    |     |
|   | 0 ... 2.5 bar   |   | 1   | 4 |   |   |   |     |     |     |    |     |
|   | 0 ... 4 bar   |   | 1   | 5 |   |   |   |     |     |     |    |     |
|   | 0 ... 6 bar   |   | 1   | 7 |   |   |   |     |     |     |    |     |
|   | 0 ... 10 bar  |   | 3   | 0 |   |   |   |     |     |     |    |     |
|   | 0 ... 16 bar  |   | 3   | 1 |   |   |   |     |     |     |    |     |
|   | 0 ... 25 bar  |   | 3   | 2 |   |   |   |     |     |     |    |     |
|   | 0 ... 40 bar  | 9   | 3   | 3 |   |   |   |     |     | 2   |    |     |
|   | 0 ... 60 bar  | 9   | 4   | 0 |   |   |   |     |     | 2   |    |     |
|   | 0 ... 100 bar   | 9   | 4   | 1 |   |   |   |     |     | 2,5 |    |     |
|   | 0 ... 160 bar   | 9   | 4   | 2 |   |   |   |     |     | 2,5 |    |     |
|   | 0 ... 250 bar   | 9   | 4   | 3 |   |   |   |     |     | 2,5 |    |     |
|   | 0 ... 400 bar (FPM seal only -40 ... +150 °C)                     | 9   | 5   | 4 | 6 |   |   |     |     | 2,5 |    |     |
| 0 ... 600 bar (FPM seal only -40 ... +150 °C)<br>▲ Full scale signal at these pressures | 9   | 5   | 5   | 6 |   |   |   |     | 2,5 |     |    |     |
| <b>Sealing material <sup>3)</sup></b>   | FPM Fluoro elastomer -15 ... +125 °C                              |   |   |   |   | 0 |   |     |     |     |    |     |
|   | EPDM Ethylene propylene -40 ... +150 °C (UL max. 125 °C)          |   |   |   |   | 6 |   |     |     |     |    |     |
|   | NBR Butadiene Acrylonitrile                                       |   |   |   |   | 1 |   |     |     |     |    |     |
|   | Factory   |   |   |   |   | 2 |   |     |     |     |    |     |
| <b>Adjustment</b>   | Factory   |   |   |   |   | 0 |   |     |     |     |    |     |
|   | 0 ... 5 V   | 8.0 ... 33 VDC IN=1 / OUT=3 / GND=4                   |   |   |   |   |   | 1   |     |     |    |     |
|   |   | 8.0 ... 33 VDC IN=1 / OUT=4 / GND=3                   |   |   |   |   |   | F   | 5,7 |     |    |     |
|   | 1 ... 6 V   | 8.0 ... 33 VDC IN=1 / OUT=3 / GND=4                   |   |   |   |   |   | 6   |     |     |    |     |
|   |   | 8.0 ... 33 VDC IN=1 / OUT=4 / GND=3                   |   |   |   |   |   | G   | 5,7 |     |    |     |
|   | 0 ... 10 V  | 11.4 ... 33 VDC IN=1 / OUT=3 / GND=4                  |   |   |   |   |   | 2   |     |     |    |     |
|   |   | 11.4 ... 33 VDC IN=1 / OUT=4 / GND=3                  |   |   |   |   |   | H   | 5,7 |     |    |     |
| 4 ... 20 mA   | 24 VAC ±15%<br>8.0 ... 33 VDC                                     |   |   |   |   |   | 7 | 1,0 |     |     |    |     |
| 4 ... 20 mA   | 8.0 ... 33 VDC  |   |   |   |   |   | 3 |     |     |     |    |     |
| ration. 10 ... 90%  | 5 VDC ±5%   |   |   |   |   |   | 4 |     |     |     |    |     |
| <b>Electrical connection</b>  | Cable 1.5 m   |   |   |   |   |   |   |     | 0   |     |    |     |
|   | Swift connector   |   |   |   |   |   |   |     | 1   |     |    |     |
|   | Connector   | AMP JPT <sup>4)</sup>                                 |   |   |   |   |   |     |     | 2   |    |     |
|   |   | M12x1 plastic thread <sup>4)</sup>                    |   |   |   |   |   |     |     | 5   |    |     |
|   |   | M12x1 metal thread <sup>4)</sup>                      |   |   |   |   |   |     |     | 7   |    |     |
|   |   | DIN EN 175301-803-C 2w:IN=3/OUT=1 3w:IN=3/OUT=2/GND=1 |   |   |   |   |   |     |     | 8   |    |     |
|   |   | DIN EN 175301-803-C 2w:IN=1/OUT=2 3w:IN=1/OUT=3/GND=2 |   |   |   |   |   |     |     | 9   |    |     |
|   | <b>Pressure connection <sup>5)</sup></b>                          | Inside thread   | G ¼ with O-Ring seal (no pressure tip orifice possible) |   |   |   |   |     |     |     | 1  | 1,2 |
|   |   |   | G ¼ sealed at back, DIN EN ISO 1179-2                   |   |   |   |   |     |     |     | 4  |     |
| G ½ sealed at front   |   |   |   |   |   |   |   |     |     | 9   |    |     |
| Outside thread  |   | G ½ sealed at back and manometer (combi)              |   |   |   |   |   |     |     | 8   |    |     |
|   |   | ¼ -18 NPT   |   |   |   |   |   |     |     | 3   |    |     |
|   |   | R ¼, EN 10226   |   |   |   |   |   |     |     | 7   |    |     |
| M12x1.5 sealed at back, DIN EN ISO 1179-2   |   |   |   |   |   |   |   |     | 5   |     |    |     |
|   | M14x1.5 sealed at back, DIN EN ISO 1179-2                         |   |   |   |   |   |   |     | 6   |     |    |     |
| <b>Version</b>  | Stainless steel without media stopper (≤ 60 bar)                  |   |   |   |   |   |   |     |     |     | 1  |     |
|   | Stainless steel with media stopper (standard ≥ 40 bar)            |   |   |   |   |   |   |     |     |     | 2  |     |
|   | Stainless steel with pressure tip orifice (≥ 100 bar)             |   |   |   |   |   |   |     |     |     | 5  |     |
| <b>Pressure range variation (optional)</b>  | Indicate W and state range on order (e.g.: W0... +8bar/OUT1...6V) |   |   |   |   |   |   |     |     |     | W  |     |

## Accessories (supplied loose)

|   | Order Number |
|---|--------------|
| Female connector for connector M12x1                    | 106975       |
| Female connector AMP (Junior power timer) 2-wire        | 110442       |
| Female connector AMP (Junior power timer) 3-wire        | 108767       |
| Female connector swift connector (included in delivery) | 117312       |
| Female connector  | 104244       |
| Calibration certificate                                 | 104551       |

<sup>1)</sup> TC = Temperature coefficient

<sup>2)</sup> Other pressure range on request

<sup>3)</sup> Other sealing material on request

<sup>4)</sup> Delivery without female connector

<sup>5)</sup> Other pressure connection on request

|  |  |  |                                  | 1                                 | 2 | 3 | 4 | 5 | 6 | 7 | 8   | 9 | 10  |  |
|--|--|--|----------------------------------|-----------------------------------|---|---|---|---|---|---|-----|---|-----|--|
| <b>Order code selection table in psi</b>   |  |  |                                  | 511.                              | X | X | X | X | X | X | X   | X | X   |  |
| <b>Pressure mode</b>                       | Relative   |  |                                  | 9                                 |   |   |   |   |   |   |     |   |     |  |
|  | Absolute   |  |                                  | 8                                 |   |   |   |   |   |   |     |   |     |  |
| <b>Pressure range <sup>1)</sup></b>        | -30 ... 0"hg   |  |                                  | 9                                 | A | 0 |   |   |   |   |     |   |     |  |
|  | 0 ... 15 psi   |  |                                  |                                   | B | 1 |   |   |   |   |     |   |     |  |
|  | 0 ... 30 psi   |  |                                  |                                   | B | 4 |   |   |   |   |     |   |     |  |
|  | 0 ... 60 psi   |  |                                  |                                   | B | 5 |   |   |   |   |     |   |     |  |
|  | 0 ... 100 psi  |  |                                  |                                   | B | 7 |   |   |   |   |     |   |     |  |
|  | 0 ... 200 psi  |  |                                  |                                   | C | 1 |   |   |   |   |     |   |     |  |
|  | 0 ... 300 psi  |  |                                  |                                   | C | 2 |   |   |   |   |     |   |     |  |
|  | 0 ... 500 psi  |  |                                  | 9                                 | C | 3 |   |   |   |   |     |   | 2   |  |
|  | 0 ... 750 psi  |  |                                  | 9                                 | D | 0 |   |   |   |   |     |   | 2   |  |
|  | 0 ... 1000 psi   |  |                                  | 9                                 | D | 1 |   |   |   |   |     |   | 2,5 |  |
|  | 0 ... 2000 psi   |  |                                  | 9                                 | D | 2 |   |   |   |   |     |   | 2,5 |  |
|  | 0 ... 3000 psi   |  |                                  | 9                                 | D | 3 |   |   |   |   |     |   | 2,5 |  |
|  | 0 ... 5000 psi (FPM seal only -40 ... +150 °C)   |  |                                  | 9                                 | E | 4 | 6 |   |   |   |     |   | 2,5 |  |
|  | 0 ... 7500 psi (FPM seal only -40 ... +150 °C)<br>▲ Full scale signal at these pressures |  |                                  | 9                                 | E | 5 | 6 |   |   |   |     |   | 2,5 |  |
| <b>Sealing material <sup>2)</sup></b>      | FPM  | Fluoro elastomer                                       | -15 ... +125 °C                  |                                   |   |   |   |   | 0 |   |     |   |     |  |
|  |  |  | -40 ... +150 °C (UL max. 125 °C) |                                   |   |   |   |   | 6 |   |     |   |     |  |
|  | EPDM   | Ethylene propylene                                     |                                  |                                   |   |   |   |   | 1 |   |     |   |     |  |
|  | NBR  | Butadiene Acrylonitrile                                |                                  |                                   |   |   |   |   | 2 |   |     |   |     |  |
| <b>Adjustment</b>                          | Factory  |  |                                  |                                   |   |   |   |   | 0 |   |     |   |     |  |
| <b>Output / power supply</b>               | 0 ... 5 V  | 8.0 ... 33 VDC IN=1 / OUT=3 / GND=4                    |                                  |                                   |   |   |   |   |   | 1 |     |   |     |  |
|  |  | 8.0 ... 33 VDC IN=1 / OUT=4 / GND=3                    |                                  |                                   |   |   |   |   |   | F | 5,7 |   |     |  |
|  | 1 ... 6 V  | 8.0 ... 33 VDC IN=1 / OUT=3 / GND=4                    |                                  |                                   |   |   |   |   |   | 6 |     |   |     |  |
|  |  | 8.0 ... 33 VDC IN=1 / OUT=4 / GND=3                    |                                  |                                   |   |   |   |   |   | G | 5,7 |   |     |  |
|  | 0 ... 10 V   | 11.4 ... 33 VDC IN=1 / OUT=3 / GND=4                   |                                  |                                   |   |   |   |   |   | 2 |     |   |     |  |
|  |  | 11.4 ... 33 VDC IN=1 / OUT=4 / GND=3                   |                                  |                                   |   |   |   |   |   | H | 5,7 |   |     |  |
|  |  | 24 VAC ±15%  |                                  |                                   |   |   |   |   |   | 7 | 1,0 |   |     |  |
|  | 4 ... 20 mA  | 8.0 ... 33 VDC   |                                  |                                   |   |   |   |   |   | 3 |     |   |     |  |
| ration. 10 ... 90%                         | 5 VDC ±5%  |  |                                  |                                   |   |   |   |   | 4 |   |     |   |     |  |
| <b>Electrical connection</b>               | Cable 1.5 m  |  |                                  |                                   |   |   |   |   |   |   |     | 0 |     |  |
|  | Swift connector  |  |                                  |                                   |   |   |   |   |   |   |     | 1 |     |  |
|  | Connector  | AMP JPT <sup>3)</sup>                                  |                                  |                                   |   |   |   |   |   |   |     |   | 2   |  |
|  |  | M12x1 plastic thread <sup>3)</sup>                     |                                  |                                   |   |   |   |   |   |   |     |   | 5   |  |
|  |  | M12x1 metal thread <sup>3)</sup>                       |                                  |                                   |   |   |   |   |   |   |     |   | 7   |  |
|  |  | DIN EN 175301-803-C                                    |                                  | 2w:IN=3/OUT=1 3w:IN=3/OUT=2/GND=1 |   |   |   |   |   |   |     |   | 8   |  |
| DIN EN 175301-803-C                        |  | 2w:IN=1/OUT=2 3w:IN=1/OUT=3/GND=2                      |                                  |                                   |   |   |   |   |   |   | 9   |   |     |  |
| <b>Pressure connection <sup>4)</sup></b>   | Inside thread  | G ¼ mit O-Ring seal (no pressure tip orifice possible) |                                  |                                   |   |   |   |   |   |   |     | 1 | 1,2 |  |
|  |  | G ¼ sealed at back, DIN EN ISO 1179-2                  |                                  |                                   |   |   |   |   |   |   |     |   | 4   |  |
|  |  | G ½ sealed at front                                    |                                  |                                   |   |   |   |   |   |   |     |   | 9   |  |
|  | Outside thread   | G ½ sealed at back and manometer (combi)               |                                  |                                   |   |   |   |   |   |   |     |   | 8   |  |
|  |  | ¼ -18 NPT  |                                  |                                   |   |   |   |   |   |   |     |   | 3   |  |
|  |  | R ¼, EN 10226  |                                  |                                   |   |   |   |   |   |   |     |   | 7   |  |
|  |  | M12x1.5 sealed at back, DIN EN ISO 1179-2              |                                  |                                   |   |   |   |   |   |   |     |   | 5   |  |
|  | M14x1.5 sealed at back, DIN EN ISO 1179-2  |  |                                  |                                   |   |   |   |   |   |   |     | 6 |     |  |
| <b>Version</b>                             | Stainless steel without media stopper (≤ 700 psi)  |  |                                  |                                   |   |   |   |   |   |   |     |   | 1   |  |
|  | Stainless steel with media stopper (standard ≥ 500 psi)                                  |  |                                  |                                   |   |   |   |   |   |   |     |   | 2   |  |
|  | Stainless steel with pressure tip orifice (≥ 1000 psi)                                   |  |                                  |                                   |   |   |   |   |   |   |     |   | 5   |  |
| <b>Pressure range variation (optional)</b> | Indicate W and state range on order (e.g.: W0... + 120psi/OUT1...6V)                     |  |                                  |                                   |   |   |   |   |   |   |     |   | W   |  |

<sup>1)</sup> Other pressure range on request

<sup>2)</sup> Other sealing material on request

<sup>3)</sup> Delivery without female connector

<sup>4)</sup> Other pressure connection on request

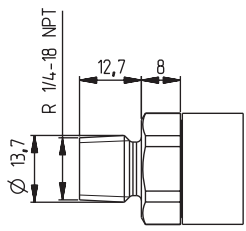
|  |  |   | 1                                 | 2 | 3 | 4 | 5 | 6 | 7 | 8   | 9 | 10  |
|--|--|---|-----------------------------------|---|---|---|---|---|---|-----|---|-----|
| <b>Order code selection table in MPa</b>   |  |   | 511.                              | X | X | X | X | X | X | X   | X | X   |
| <b>Pressure mode</b>                       | Relative   |   | 9                                 |   |   |   |   |   |   |     |   |     |
|  | Absolute   |   | 8                                 |   |   |   |   |   |   |     |   |     |
| <b>Pressure range <sup>1)</sup></b>        | -0.1 ... 0 MPa   |   | 9                                 | F | 0 |   |   |   |   |     |   |     |
|  | 0 ... 0.1 MPa  |   |                                   | G | 1 |   |   |   |   |     |   |     |
|  | 0 ... 0.16 MPa   |   |                                   | G | 2 |   |   |   |   |     |   |     |
|  | 0 ... 0.25 MPa   |   |                                   | G | 4 |   |   |   |   |     |   |     |
|  | 0 ... 0.4 MPa  |   |                                   | G | 5 |   |   |   |   |     |   |     |
|  | 0 ... 0.6 MPa  |   |                                   | G | 7 |   |   |   |   |     |   |     |
|  | 0 ... 1 MPa  |   |                                   | H | 0 |   |   |   |   |     |   |     |
|  | 0 ... 1.6 MPa  |   |                                   | H | 1 |   |   |   |   |     |   |     |
|  | 0 ... 2.5 MPa  |   |                                   | H | 2 |   |   |   |   |     |   |     |
|  | 0 ... 4 MPa  |   | 9                                 | H | 3 |   |   |   |   |     |   | 2   |
|  | 0 ... 6 MPa  |   | 9                                 | K | 0 |   |   |   |   |     |   | 2   |
|  | 0 ... 10 MPa   |   | 9                                 | K | 1 |   |   |   |   |     |   | 2,5 |
|  | 0 ... 16 MPa   |   | 9                                 | K | 2 |   |   |   |   |     |   | 2,5 |
|  | 0 ... 25 MPa   |   | 9                                 | K | 3 |   |   |   |   |     |   | 2,5 |
|  | 0 ... 40 MPa (FPM seal only -40 ... +150 °C)                         |   | 9                                 | L | 4 | 6 |   |   |   |     |   | 2,5 |
|  | 0 ... 60 MPa (FPM seal only -40 ... +150 °C)                         |   | 9                                 | L | 5 | 6 |   |   |   |     |   | 2,5 |
|  | ▲ Full scale signal at these pressures                               |   |                                   |   |   |   |   |   |   |     |   |     |
| <b>Sealing material <sup>2)</sup></b>      | FPM  | Fluoro elastomer  |                                   |   |   |   | 0 |   |   |     |   |     |
|  |  |   |                                   |   |   |   | 6 |   |   |     |   |     |
|  | EPDM   | Ethylene propylene  |                                   |   |   |   | 1 |   |   |     |   |     |
|  | NBR  | Butadiene Acrylonitrile                                   |                                   |   |   |   | 2 |   |   |     |   |     |
| <b>Adjustment</b>                          | Factory  |   |                                   |   |   |   | 0 |   |   |     |   |     |
| <b>Output / power supply</b>               | 0 ... 5 V  | 8.0 ... 33 VDC IN=1 / OUT=3 / GND=4                       |                                   |   |   |   |   |   | 1 |     |   |     |
|  |  | 8.0 ... 33 VDC IN=1 / OUT=4 / GND=3                       |                                   |   |   |   |   |   | F | 5,7 |   |     |
|  | 1 ... 6 V  | 8.0 ... 33 VDC IN=1 / OUT=3 / GND=4                       |                                   |   |   |   |   |   | 6 |     |   |     |
|  |  | 8.0 ... 33 VDC IN=1 / OUT=4 / GND=3                       |                                   |   |   |   |   |   | G | 5,7 |   |     |
|  | 0 ... 10 V   | 11.4 ... 33 VDC IN=1 / OUT=3 / GND=4                      |                                   |   |   |   |   |   | 2 |     |   |     |
|  |  | 11.4 ... 33 VDC IN=1 / OUT=4 / GND=3                      |                                   |   |   |   |   |   | H | 5,7 |   |     |
|  | 4 ... 20 mA  | 8.0 ... 33 VDC  |                                   |   |   |   |   |   | 7 | 1,0 |   |     |
| ration. 10 ... 90%                         | 5 VDC ±5%  |   |                                   |   |   |   |   | 3 |   |     |   |     |
|  |  |   |                                   |   |   |   |   | 4 |   |     |   |     |
| <b>Electrical connection</b>               | Cable 1.5 m  |   |                                   |   |   |   |   |   |   |     | 0 |     |
|  | Swift connector  |   |                                   |   |   |   |   |   |   |     |   | 1   |
|  | Connector  | AMP JPT <sup>3)</sup>                                     |                                   |   |   |   |   |   |   |     |   | 2   |
|  |  | M12x1 plastic thread <sup>3)</sup>                        |                                   |   |   |   |   |   |   |     |   | 5   |
|  |  | M12x1 metal thread <sup>3)</sup>                          |                                   |   |   |   |   |   |   |     |   | 7   |
|  |  | DIN EN 175301-803-C                                       | 2w:IN=3/OUT=1 3w:IN=3/OUT=2/GND=1 |   |   |   |   |   |   |     |   | 8   |
| DIN EN 175301-803-C                        |  | 2w:IN=1/OUT=2 3w:IN=1/OUT=3/GND=2                         |                                   |   |   |   |   |   |   |     | 9 |     |
| <b>Pressure connection <sup>4)</sup></b>   | Inside thread  | G 1/4 with O-Ring seal (no pressure tip orifice possible) |                                   |   |   |   |   |   |   |     | 1 | 1,2 |
|  |  | G 1/4 sealed at back, DIN EN ISO 1179-2                   |                                   |   |   |   |   |   |   |     | 4 |     |
|  |  | G 1/2 sealed at front                                     |                                   |   |   |   |   |   |   |     | 9 |     |
|  | Outside thread   | G 1/2 sealed at back and manometer (combi)                |                                   |   |   |   |   |   |   |     |   | 8   |
|  |  | 1/4 -18 NPT   |                                   |   |   |   |   |   |   |     |   | 3   |
|  |  | R 1/4, EN 10226   |                                   |   |   |   |   |   |   |     |   | 7   |
|  |  | M12x1.5 sealed at back, DIN EN ISO 1179-2                 |                                   |   |   |   |   |   |   |     |   | 5   |
| M14x1.5 sealed at back, DIN EN ISO 1179-2  |  |   |                                   |   |   |   |   |   |   |     | 6 |     |
| <b>Version</b>                             | Stainless steel without media stopper (≤ 6 MPa)                      |   |                                   |   |   |   |   |   |   |     |   | 1   |
|  | Stainless steel with media stopper (standard ≥ 4 MPa)                |   |                                   |   |   |   |   |   |   |     |   | 2   |
|  | Stainless steel with pressure tip orifice (≥ 10 MPa)                 |   |                                   |   |   |   |   |   |   |     |   | 5   |
| <b>Pressure range variation (optional)</b> | Indicate W and state range on order (e.g.: W0... + 0.8MPa/OUT1...6V) |   |                                   |   |   |   |   |   |   |     |   | W   |

<sup>1)</sup> Other pressure range on request

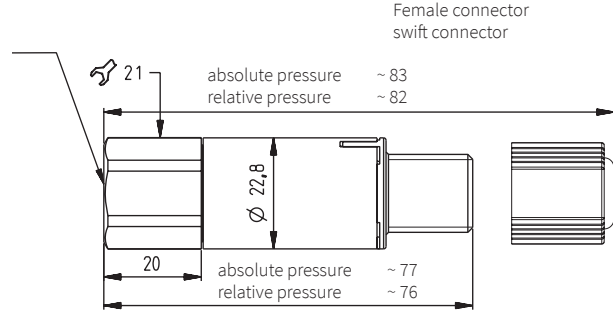
<sup>2)</sup> Other sealing material on request

<sup>3)</sup> Delivery without female connector

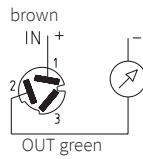
<sup>4)</sup> Other pressure connection on request



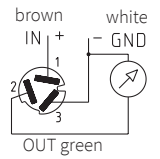
G 1/4  
Inside thread



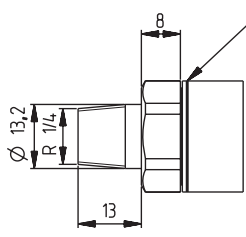
2 wire  
(4 ... 20 mA)



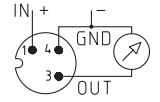
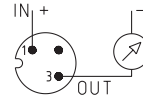
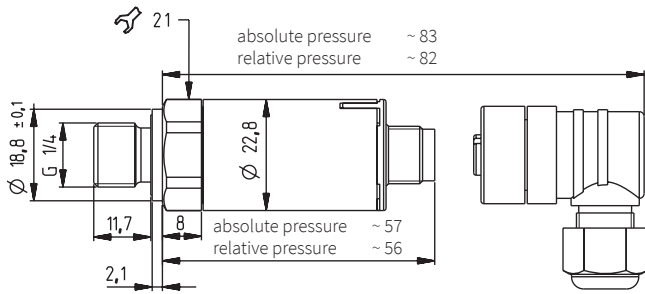
3 wire



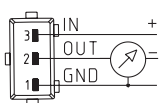
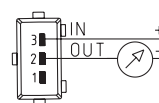
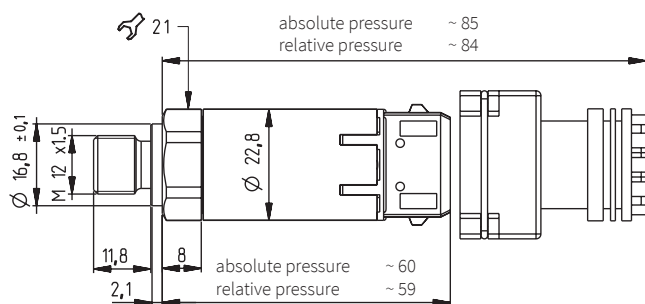
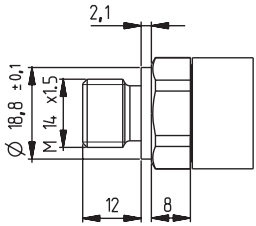
All absolute versions are especially marked with an indentation.



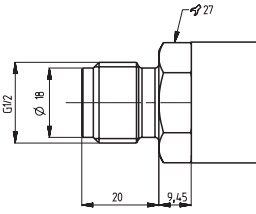
Female connector M12x1



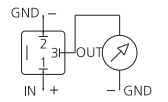
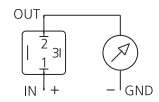
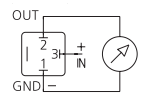
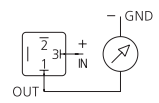
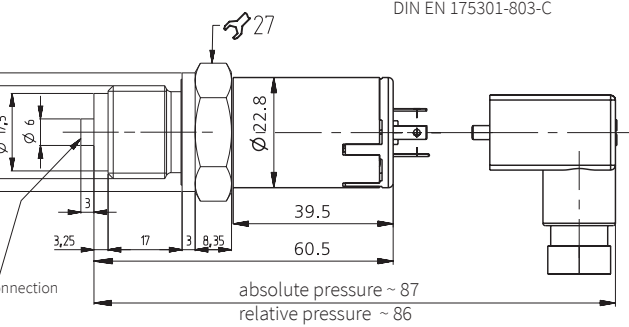
Female connector AMP JPT



Female connector  
DIN EN 175301-803-C



manometer connection



**Huba Control AG**

Headquarters Schweiz  
Industriestrasse 17  
CH-5436 Würenlos  
Telefon +41 56 436 82 00  
Fax +41 56 436 82 82  
info.ch@hubacontrol.com

**Huba Control AG**

Niederlassung Deutschland  
Schlattgrabenstrasse 24  
D-72141 Walddorfhäslach  
Telefon +49 7127 2393 00  
Fax +49 7127 2393 20  
info.de@hubacontrol.com

**Huba Control AG**

Vestiging Nederland  
Hamseweg 20A  
NL-3828 AD-Hoogland  
Telefoon +31 33 433 03 66  
Telefax +31 33 433 03 77  
info.nl@hubacontrol.com

**Huba Control SA**

Succursale France  
Rue Lavoisier  
Technopôle Forbach-Sud  
F-57602 Forbach Cedex  
Téléphone +33 3 87 84 73 00  
Télécopieur +33 3 87 84 73 01  
info.fr@hubacontrol.com

**Huba Control AG**

Branch Office United Kingdom  
Unit 13 Berkshire House, County Park  
Business Centre, Shrivenham Road  
Swindon, Wiltshire SN1 2NR  
Phone +44 1993 77 66 67  
Fax +44 1993 77 66 71  
info.uk@hubacontrol.com

**[www.hubacontrol.com](http://www.hubacontrol.com)**

