



Differential pressure transmitter

# Huba Control

## OEM differential pressure transmitter

### Type 401

Type 401 pressure transmitters sense ultra fine changes in air pressure and are designed to provide optimum control. The dual component diaphragm with its unique geometry, gives highly sensitive operation and excellent repeatability, even in the range below 20 Pascal.



**Pressure range**  
**0 ... 3 – 8 mbar**

- + Special development for optimize of combustion mixture in gas boilers
- + With the special diaphragm geometry inherently stable
- + Ideal dimensioning for high sensitivity and with long term stability
- + Excellent repeatability even in the lower pressure range (< 20 Pascal)

## Technical overview

### Pressure range

Relative and differential 0 ... 3 – 8 mbar

### Operating conditions

Medium		Air and neutral gases
Temperature	Medium / ambient	0 ... +70 °C
	Storage	-40 ... +70 °C
Tolerable overload on one side		25 mbar
Rupture pressure		100 mbar short period at room temperature
Leak rate		200 mbar
		< 5 cm <sup>3</sup> /h (Air), at nominal pressure

### Materials in contact with the medium

Case	Polycarbonate (PC)
Diaphragm	LSR (Liquid Silicon Rubber)
Sensor	Ceramic Al <sub>2</sub> O <sub>3</sub>

### Electrical overview

Output	0.5 ... 4.5 V
Power supply	10.4 ... 18 VDC <sup>1)</sup>
Load	> 15 kOhm (to GND)
Current consumption	At nominal pressure without load
	< 8 mA
Polarity reversal protection	Mechanically protected
Electrical compatibility	The product is designed exclusively for installation in equipment. The customer is responsible for CE conformity.

### Dynamic response

Response time	< 10 ms
Load cycle	< 10 Hz

### Electrical connections

3 pole plug connector RAST 2.5

### Protection standard

IP 00

### Protection class

III

### Pressure connection

Pipe Ø 6.2 mm

### Mounting instruction

Installation arrangement	Diaphragm horizontal (recommend)	Pressure connections facing downward
	Diaphragm vertical (on request)	Pressure connections lateral, signal approx. 13 Pa below actual pressure
Mounting		Snap mounting in sheet steel (thickness 1 and 2 mm)
		Mounting bracket type A / type B

### Tests / Admissions

DVGW	CE-0085BP0459 (DVGW) acc. DIN EN 1854
Gas appliance directive	2016/426/EG

### Weight

Without accessories ~ 45 g

### Packaging

Cardboard boxes with blister pack inserts (returnable).

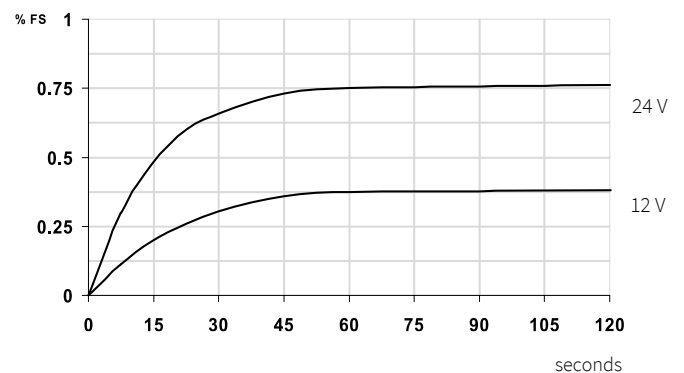
### Ordering batches quantities / Transport volumes

Pieces	Varaint	Length (cm)	Width (cm)	Height (cm)	Weight (kg)	Blister (20 pcs)
1440	12 Box on euro-palette	120	80	93	134	72
120	1 Box	59	39	26	9.5	6

## Accuracy

## Signal drift

Parameter		Unit	
Tolerance zero point <sup>2)</sup>	max.	% fs	± 0.5
Tolerance full scale <sup>2)</sup>	max.	% fs	- 1.5 /+ 0.5
Resolution		% fs	0.1
Total of linearity, hysteresis and repeatability	max.	% fs	± 0.3
long term stability acc. to DIN EN 60770		% fs	± 1.0
TC zero point <sup>3)</sup>	typ.	% fs/10K	± 0.2
TC zero point <sup>3)</sup>	max.	% fs/10K	± 0.3
TC sensitivity <sup>3)</sup>	typ.	% fs/10K	± 0.1



<sup>1)</sup> Power supply possible up to 28 VDC (with higher Power up drift see diagram)

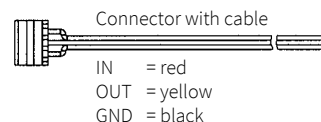
<sup>2)</sup> For changing diaphragm position from horizontal to vertical, approx. -0.13 mbar.

<sup>3)</sup> TC = Temperature coefficient

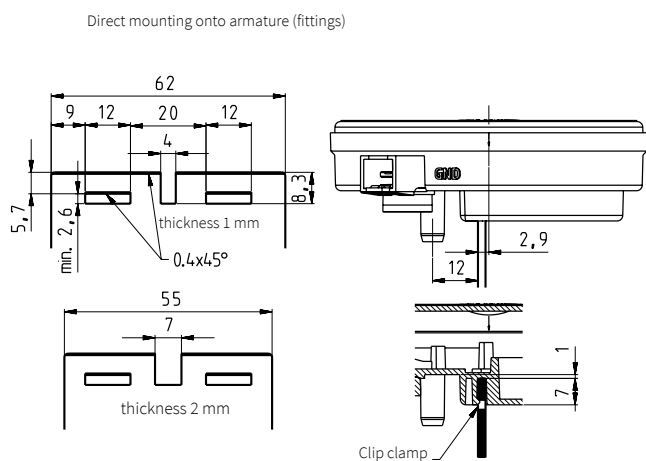
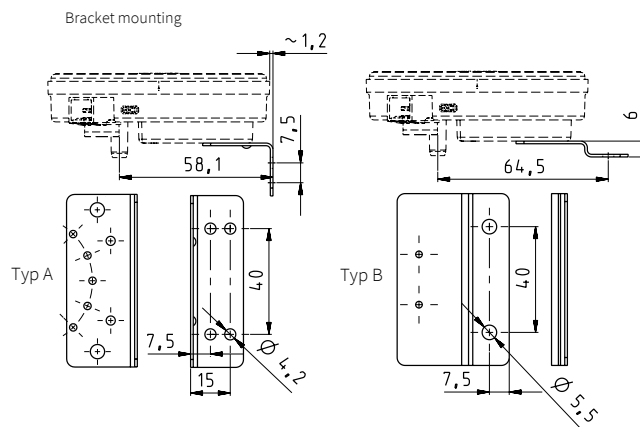
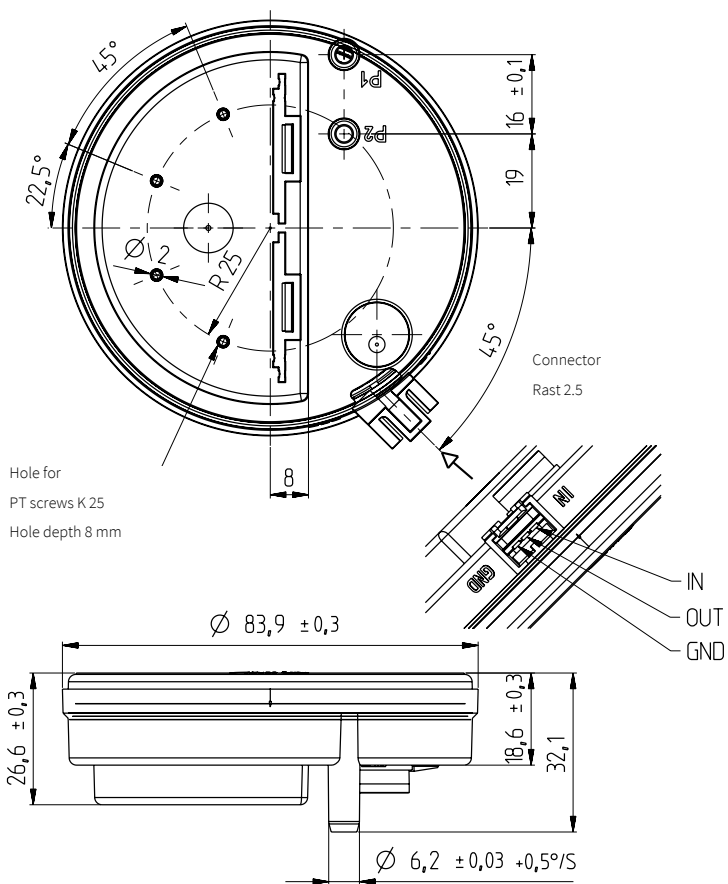
Order code selection table		Order number								
Pressure range	0 ... 3 mbar	4	0	1	.	9	3	0	0	0
	0 ... 5 mbar	4	0	1	.	9	5	0	0	0
	0 ... 8 mbar	4	0	1	.	9	8	0	0	0
▲ Full scale signal at these pressure										

Accessories (supplied loose)		Order number
Bracket type A		100295
Bracket type B		100098
Fixing screw for wall thickness 1 – 2 mm	Length of screw 6 mm (min. required 2 pcs)	102976
Orifice for pulsed pressure		100251
Connector Rast 2.5 with cable 30 cm		111668
Connector Rast 2.5 with cable 110 cm		101817
Connector Rast 2.5 with cable 150 cm		112282
Calibration certificate		104551

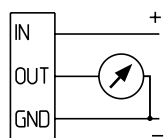
AMP connector <sup>1)</sup>	Manufacture's Part No.	Colour	for flexible wire
	3-829868-3	grey	7 x 0.20 mm = 0.22 mm <sup>2</sup> or 12 x 0.20 mm = 0.35 mm <sup>2</sup>
	1-966194-3	beige	7 x 0.25 mm = 0.35 mm <sup>2</sup>



### Dimensions in mm / Electrical connections



Other dimensions as per «Thickness 1 mm»



<sup>1)</sup> To be ordered separately from original manufacturer. Further information can be found in the manufacturer specification No. 114-18049.49.

**Huba Control AG**

Headquarters Schweiz  
Industriestrasse 17  
CH-5436 Würenlos  
Telefon +41 56 436 82 00  
Fax +41 56 436 82 82  
info.ch@hubacontrol.com

**Huba Control AG**

Niederlassung Deutschland  
Schlattgrabenstrasse 24  
D-72141 Walddorfhäslach  
Telefon +49 7127 2393 00  
Fax +49 7127 2393 20  
info.de@hubacontrol.com

**Huba Control AG**

Vestiging Nederland  
Hamseweg 20A  
NL-3828 AD-Hoogland  
Telefoon +31 33 433 03 66  
Telefax +31 33 433 03 77  
info.nl@hubacontrol.com

**Huba Control SA**

Succursale France  
Rue Lavoisier  
Technopôle Forbach-Sud  
F-57602 Forbach Cedex  
Téléphone +33 3 87 84 73 00  
Télécopieur +33 3 87 84 73 01  
info.fr@hubacontrol.com

**Huba Control AG**

Branch Office United Kingdom  
Unit 13 Berkshire House, County Park  
Business Centre, Shrivenham Road  
Swindon Wiltshire SN1 2NR  
Phone +44 1993 77 66 67  
Fax +44 1993 77 66 71  
info.uk@hubacontrol.com

**[www.hubacontrol.com](http://www.hubacontrol.com)**

