



Digital indicating devices

# Huba Control

## LCD Display

### Type 801

Type 801 digital indicators are compatible with all sensors with DIN plug EN 175301-803-A.

Independent of the mounting position of the sensor, the display can be rotated to give the ideal reading position. The 801 has a 3 digit liquid-crystal display which is adjustable by the customer, or available factory set.



- + Portable plug-in indicator
- + Irrespective of the installation arrangement of your transducer the display module can be rotated and turned to give the ideal reading-position
- + Protection class IP 65 with screw-fastened DIN EN 175301-803 connectors

## Technical overview

### Temperature

Ambient	0 ... +60 °C
Storage	-20 ... +75 °C

### Electrical overview

Current consumption	0 ... 5 V / 0 ... 10 V / 0 ... 20 mA 4 ... 20 mA	< 4 mA	voltage drop 8 V
Signal / power supply <sup>1)</sup>	3 wire	0 ... 5 V 0 ... 10 V	11 ... 33 VDC, 24 VDC ± 15 % 18 ... 33 VDC, 24 VAC ± 15 %
	2 wire	0 ... 5 V 4 ... 20 mA	8 ... 33 VDC
Internal resistance		> 100 kOhm	> 100 kOhm
		0 ... 10 V 0 ... 20 mA	< 50 Ohm

### Dynamic response

Response time	< 5 ms
---------------	--------

### Accuracy

Typically at ambient temperature 23 °C	≤ ± 2 digit typ.
Long term stability (after 1 year)	≤ ± 2 digit typ.
TC zero point <sup>2)</sup>	≤ ± 0.2 digit/K typ.
TC sensitivity <sup>2)</sup>	≤ ± 0.2 digit/K typ.

### Electrical connection

Connector DIN EN 175301-803
-----------------------------

### Display

Liquid crystal	3 digit	character height 9.4 mm
----------------	---------	-------------------------

### Indication capabilities (All intermediate values steplessly adjustable)

Lowest value	highest value
-1.00	9.00
.000	.900
0.00	9.00
00.0	90.0
000	900

### Protection standard

IP 65 with seals and fastened connectors. To maintain the protection standard, avoid constantly twisting the individual modules.
--

### Calibration

Factory calibration (indicate on order).
Calibration by the customer using two 10- turn potentiometers (zero point and end value) and DIP switches to position the decimal point.

### Case construction

Polyamid
----------

### Weight

~ 95 g
--------

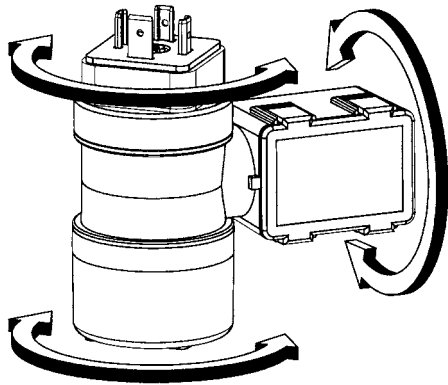
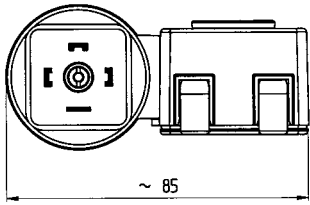
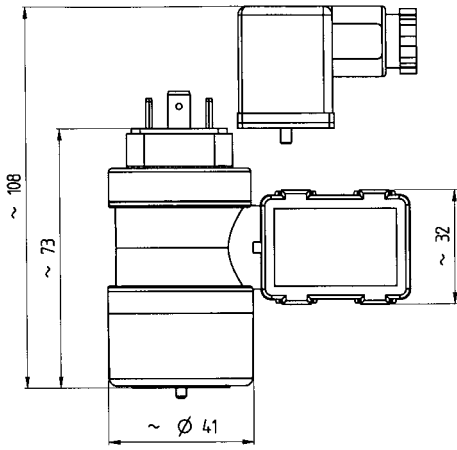
### Test / Admissions

Electromagnetic compatibility	CE conformity according EN 61326-2-3.
-------------------------------	---------------------------------------

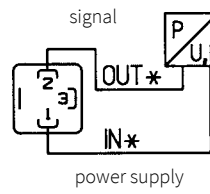
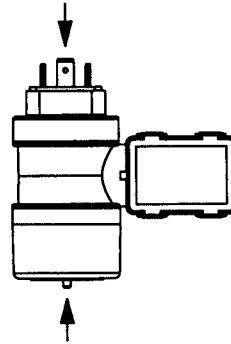
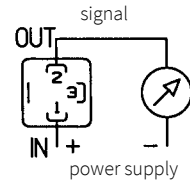
					1	2	3	4	
<b>Order code selection table</b>					801.	X	X	X	X
<b>Signal / power supply</b>	0 ... 5 V	11 ... 33 VDC/24 VAC ± 15%			0				
	0 ... 10 V	18 ... 33 VDC/24 VAC ± 15%			1				
	0 ... 20 mA	18 ... 33 VDC			2				
	4 ... 20 mA	8 ... 33 VDC			3				
<b>Display unit (Text on display)</b>	without text (adhesive labels for units enclosed, loose)					0			
	mbar					1			
	bar					2			
	kg / cm <sup>2</sup>					3			
	Inch H <sub>2</sub> O					4			
	psi					5			
kPa					6				
<b>Factory adjustment</b>	without factory setting							0	
	with factory setting (state on order)		Example: 0 Volt    Indication 00.0 10 Volt     Indication 10.0						
Note: Always indicate 3 places and decimal point (- before 1 <sup>st</sup> place)							1	W	

<sup>1)</sup> Short circuit-proof and protected against polarity reversal. Each connection against other with max. supply voltage.

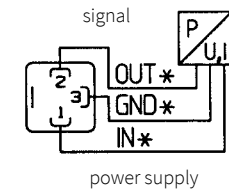
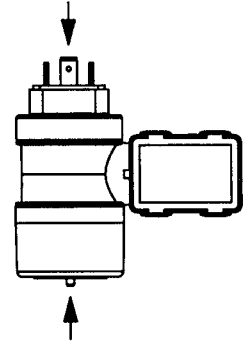
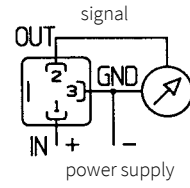
<sup>2)</sup> TC = Temperature coefficient



2-wire



3-wire



When used with Huba transmitters the supply voltage is 19 ... 40 VDC for 4 ... 20 mA, 2-wire versions  
 maximum permitted additional load  $< \frac{U_{in} [V] - 19}{0.02} [\text{Ohm}]$

**Huba Control AG**

Headquarters Schweiz  
Industriestrasse 17  
CH-5436 Würenlos  
Telefon +41 56 436 82 00  
Fax +41 56 436 82 82  
info.ch@hubacontrol.com

**Huba Control AG**

Niederlassung Deutschland  
Schlattgrabenstrasse 24  
D-72141 Walddorfhäslach  
Telefon +49 7127 2393 00  
Fax +49 7127 2393 20  
info.de@hubacontrol.com

**Huba Control AG**

Vestiging Nederland  
Hamseweg 20A  
NL-3828 AD-Hoogland  
Telefoon +31 33 433 03 66  
Telefax +31 33 433 03 77  
info.nl@hubacontrol.com

**Huba Control SA**

Succursale France  
Rue Lavoisier  
Technopôle Forbach-Sud  
F-57602 Forbach Cedex  
Téléphone +33 3 87 84 73 00  
Télécopieur +33 3 87 84 73 01  
info.fr@hubacontrol.com

**Huba Control AG**

Branch Office United Kingdom  
Unit 13 Berkshire House, County Park  
Business Centre, Shrivenham Road  
Swindon Wiltshire SN1 2NR  
Phone +44 1993 77 66 67  
Fax +44 1993 77 66 71  
info.uk@hubacontrol.com

**[www.hubacontrol.com](http://www.hubacontrol.com)**

