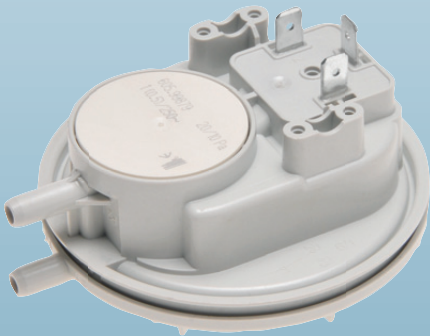




Mechanical pressure switch



**Pressure range**  
**20 ... 400 Pa**

# Huba Control

## OEM Relative and differential pressure switch

### Type 605

Type 605 pressure switches are specially developed for use in gas fired heating systems.

There are more than 40 million switches in use worldwide. Produced on a fully automated production line.

High setting accuracy and repeatability, combined with excellent reliability characterise a quality of switch above the industry norm.

- + Fitting of the switch – Fast mounting with snap bracket system
- + Adjusting security
- + High contact strength (typically 10 cN)
  - Essentially less susceptibility to pollution of contact
- + Roll operation of contact surface
  - Less sensitive to contact pollution through self cleaning effect
- + Diaphragm design / material
  - Better long term stability achieved through the use of a 2 component silicon diaphragm.
  - Unique trapezoid diaphragm design provides for a better contact release and therefore a more accurate switching point

## Technical overview

<b>Pressure range</b>		
Relative and differential		20 ... 400 Pa <sup>1)</sup>
<b>Operating conditions</b>		
Medium		Air and neutral gases
Temperature <sup>2)</sup>	Medium / ambient	-30 ... +110 °C
	Storage	-30 ... +110 °C
Tolerable overload on one side	< +85 °C	5000 Pa
	+85 ... +110 °C	1500 Pa
Smallest turn on pressure of 20 Pa <sup>3)</sup>		Smallest switching differential 8 Pa
<b>Materials in contact with the medium</b>		
Sensor		Silicone LSR
Case		PC Lexan 500R <sup>4)</sup>
<b>Electrical overview</b>		
Switching load		See Nominal loading limits
Contact system		Changeover switch
Service life	Mechanically	> 10 <sup>6</sup> switching cycles
<b>Protection standard</b>		
Not mounted		IP 00
With contact safety guard		IP 30
With cover, without seal		IP 54
With cover and seal		IP 65
<b>Reproducibility</b>		
Between		± 1 Pa
<b>Electrical connection</b>		
AMP connector <sup>5)</sup>		6.3 mm
		4.8 mm
<b>Pressure connections</b>		
Pipe		Ø 6.2 mm
Orifice installed for damping pulsating pressure at P1, P2 (option)		
<b>Mounting instructions</b>		
Installation arrangement		Please indicate installation arrangement
Mounting		With several brackets
		Fastening clip for quick mounting
<b>Tests / Admissions</b>		
UL		MFHX2/8 or XAAK2/8
DVGW		acc. to DIN EN 1854
EC type examination certificate		CE-0085AP0974
Low voltage directive		2014/35/EU
Gas appliance directive		2016/426/EU
<b>Weight</b>		
Without accessories		~ 60 g
<b>Packaging</b>		
Multiple packaging in cardboard		300 pieces
		1200 pieces (4 boxes per pallet)

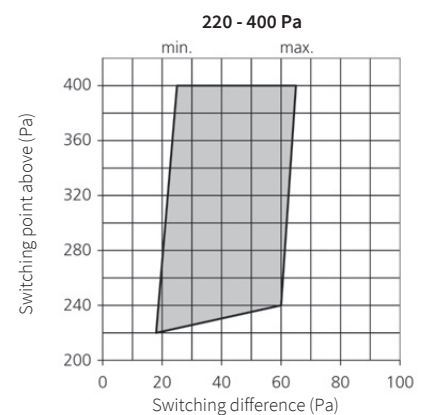
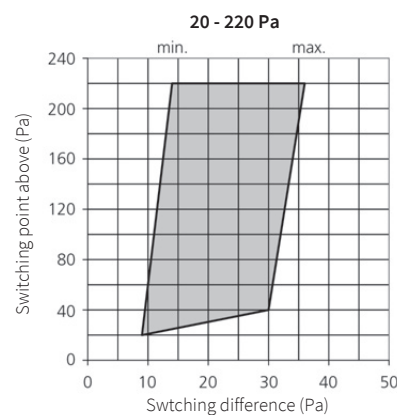
## Adjustable switching differences

Switching difference adjustment only inside shaded area:

Example: Upper switching point 220 pascal.  
Switching difference between 14 and 36 pascal.

Example: Upper switching point 40 pascal.  
Switching difference between 9 and 30 pascal.

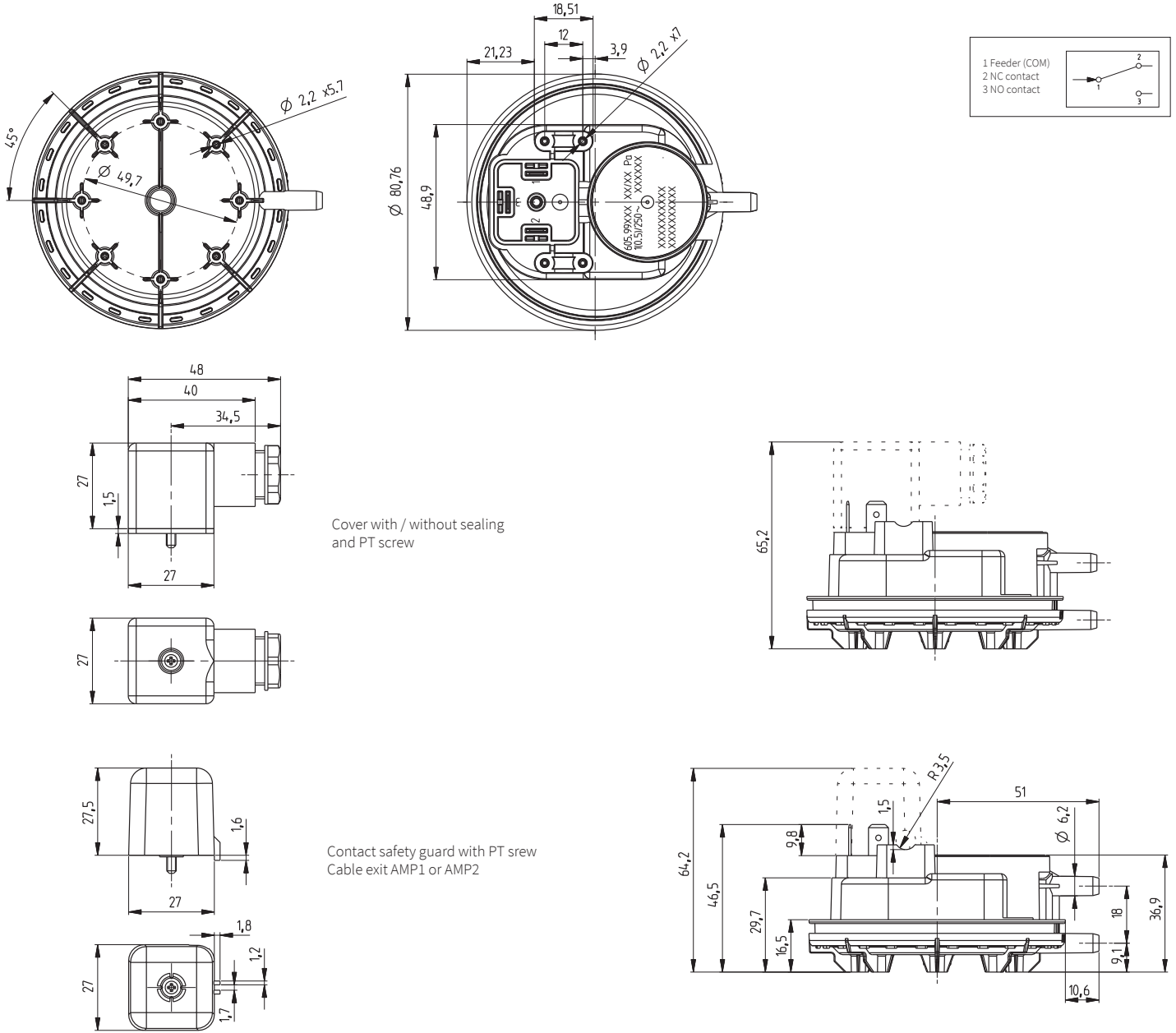
Example: Upper switching point 20 pascal,  
smallest switching difference 8 pascal.



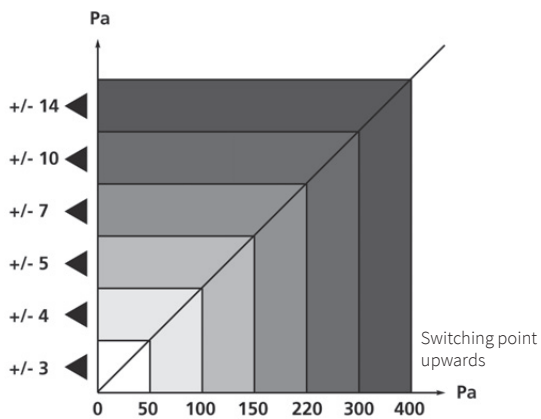
<sup>1)</sup> Higher pressures on request  
<sup>4)</sup> Fiberglass reinforced plastic 10% GF

<sup>2)</sup> Higher temperatures on request  
<sup>5)</sup> According to DIN 46244

<sup>3)</sup> Switching differential is factory-set

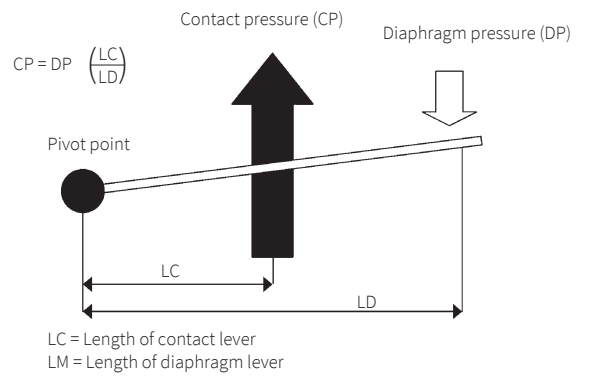


Tolerance of switching point



The principle of high contact pressure

Simplified representation of the new DPS 605 contact system. The high contact pressure results from the optimized length ratios of LC and LD.





**Huba Control AG**

Headquarters Schweiz  
Industriestrasse 17  
CH-5436 Würenlos  
Telefon +41 56 436 82 00  
Fax +41 56 436 82 82  
info.ch@hubacontrol.com

**Huba Control AG**

Niederlassung Deutschland  
Schlattgrabenstrasse 24  
D-72141 Walddorfhäslach  
Telefon +49 7127 2393 00  
Fax +49 7127 2393 20  
info.de@hubacontrol.com

**Huba Control AG**

Vestiging Nederland  
Hamseweg 20A  
NL-3828 AD-Hoogland  
Telefoon +31 33 433 03 66  
Telefax +31 33 433 03 77  
info.nl@hubacontrol.com

**Huba Control SA**

Succursale France  
Rue Lavoisier  
Technopôle Forbach-Sud  
F-57602 Forbach Cedex  
Téléphone +33 3 87 84 73 00  
Télécopieur +33 3 87 84 73 01  
info.fr@hubacontrol.com

**Huba Control AG**

Branch Office United Kingdom  
Unit 13 Berkshire House, County Park  
Business Centre, Shrivenham Road  
Swindon, Wiltshire SN1 2NR  
Phone +44 1993 77 66 67  
Fax +44 1993 77 66 71  
info.uk@hubacontrol.com

**[www.hubacontrol.com](http://www.hubacontrol.com)**

