

PT-401 pressure transmitter

Product overview:

PT-301L pressure transmitter adopts 96% aluminum oxide flat film sensor core. Through highly reliable amplification circuit, precise digital temperature compensation and nonlinear correction technology, the pressure of the measured medium is converted into 4~20mA, 0~5VDC analog signal. Because its structure can withstand great damage pressure, its safety is extremely high. Even if the pressure sensing film is broken, the measured medium is not easy to spill out of the seal body, which will not cause pressure loss of the pipeline. It is the preferred ceramic pressure transmitter for some workplaces with high safety requirements. It is mainly used for water-cooled screw units, ground source heat pumps, chillers, chillers, ice makers, air conditioning systems, etc. Its unique anti condensation water design, It plays a pressure protection role for safe and efficient operation of equipment.

Main features:

Compact and easy to install, reverse polarity protection, reliable performance, safe and convenient use

Flat film ceramic sensor, double safety effect, anti condensation structure design

High sensitivity, precision and stability

Full temperature compensation, good electrical performance and long-term stability

18 months warranty

Technical parameters:

Measuring range gauge pressure - 1~1bar... 50bar

Safe overload pressure 200% FS (more than 300bar 150% FS)

Comprehensive accuracy $\pm 0.5\%$ FS

Temperature compensation range - 40~85 °C

Long term stability $\pm 0.3\%$ FS/year

Operating temperature - 40~85 °C

Storage temperature - 40~125 °C

Absolute value of output signal 0-5V Proportion 0-5V 4-20mA

Supply voltage (V) 6-36 or 3.0-5.5 3.0-5.5 11-36

Load (Ω) $> 10K > 10K \leq 50$ (U-11)

Electrical connection Parker plug

Protection grade IP65

Process connection 7/16-20UNF internal thread can be customized

Medium 304 stainless steel, aluminum oxide, nitrile rubber (fluorine rubber, etc. optional)

Vibration 10gRMS, (20~2000) Hz

Impact 100g, 11ms

Insulation is greater than 100M Ω @ 250VDC

Start time 80ms

Response time is less than 1ms (@ 90% FS)

CE certification EMC: IEC61326-1 Class B

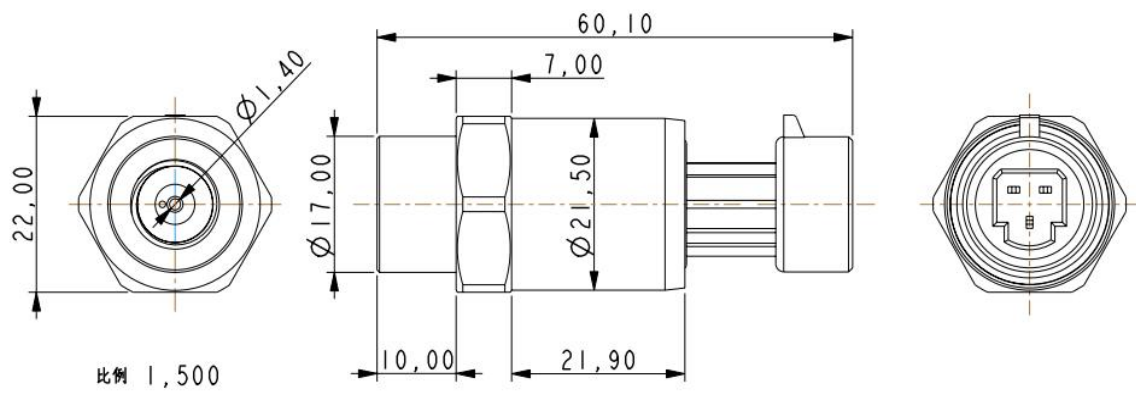
Electrostatic discharge immunity: IEC61000-4-2

Electromagnetic field immunity: IEC61000-4-3

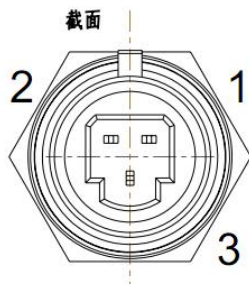
EFT immunity: IEC61000-4-4

Surge immunity: IEC61000-4-5

Overall dimensions



Electrical connection



Plug	wiring	voltage output	current output
1	Red	power positive VCC	Power positive VCC
2	Black	power negative GND	Current output Iout
3	White	signal output Vout	NC