

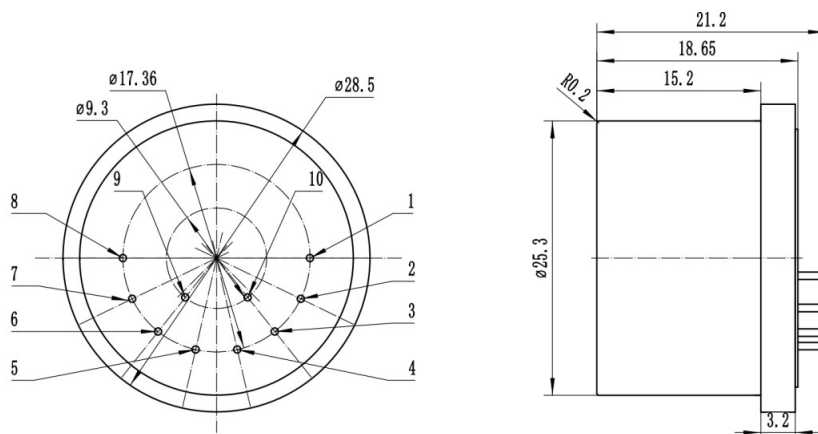
JB4 Accelerometer



KT-JB 4 series quartz flexible accelerometer is a high temperature and anti-vibration accelerometer, the product has excellent repeatability, starting performance, high temperature and high reliability characteristics, it can be used for static testing and dynamic testing, it is also a standard vibration sensor.

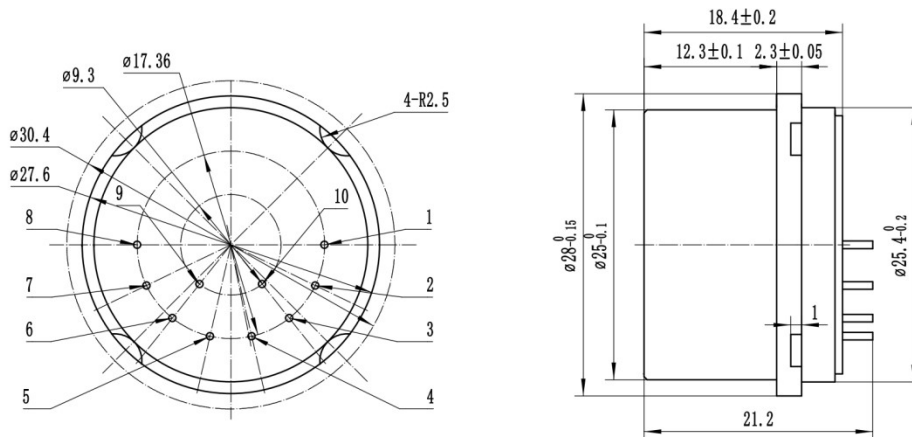
Products adopt unique high temperature design, packaging process and special circuit, product output current is proportional to the measured acceleration, the user can calculate the appropriate sampling resistance, achieve high precision output, and according to the user demand built-in temperature sensor, used for the partial value and scale factor compensation, reduce the influence of environmental temperature. QA 650, T185, T160, JAE series products can be replaced in situ, but we adopt double torque structure, it is different from other company products. We can make the accelerometer bias value and scale factor more stable, it is launch since 2010, this product has delivered thousands of products. After years of application, it has become a mature product, especially a large number of applications in the drilling measurement of oil drilling

Application fields: inclination test of bridge, dam, oil well, coal mine, etc., high-speed railway control, ship stability control, etc.

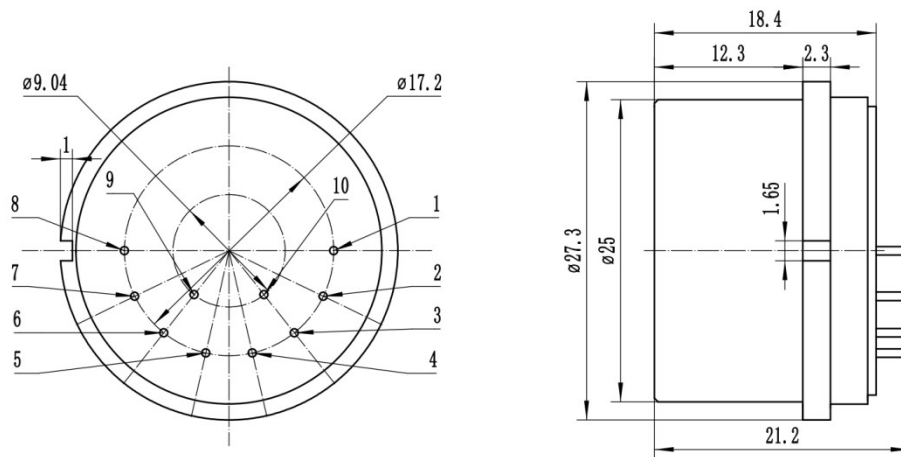


JB4-01 outside drawing

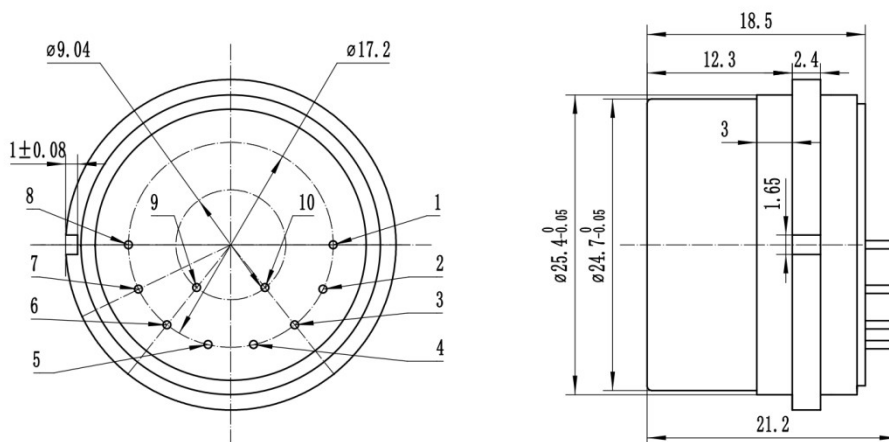
JB4-02A and JB4-03A outside drawing



JB4-02B 和 JB4-03B outside drawing

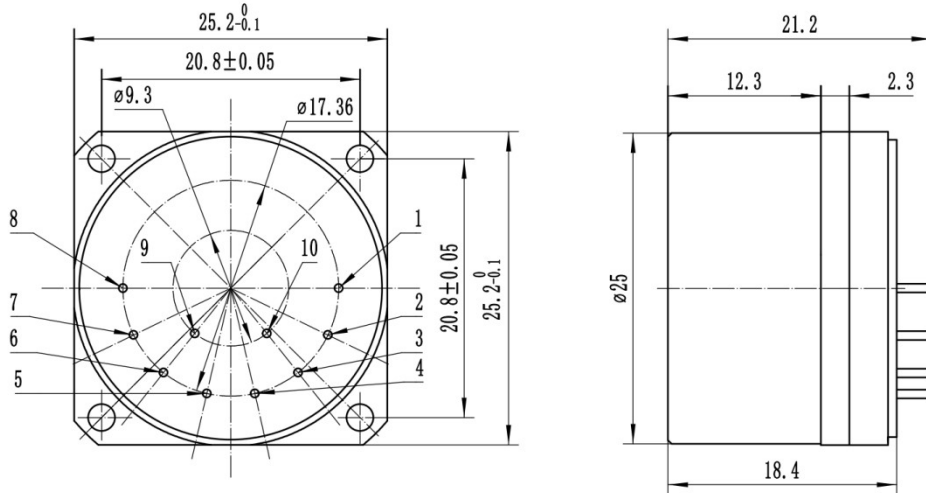


(B type 1)

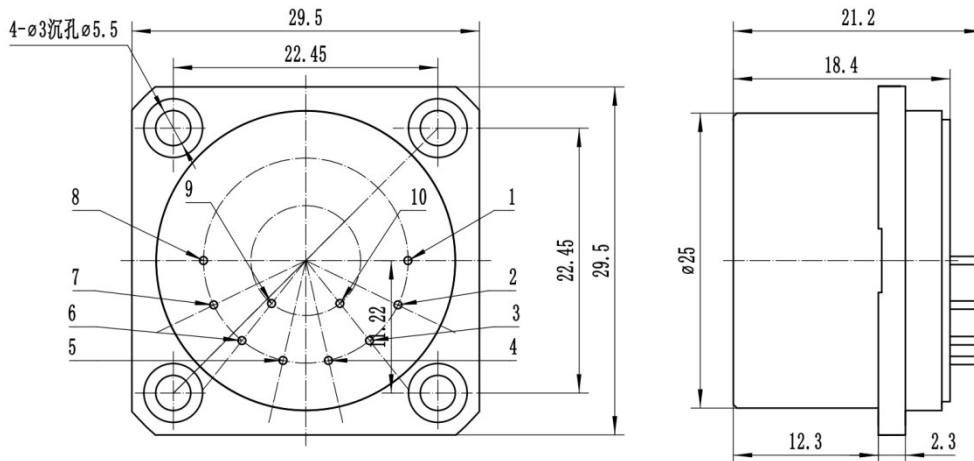


(B type 2)

JB4-02C and JB4-03C outside drawing



JB4-02D and JB4-03D outside drawing



Performance characteristics

S/No	Parameters	JB4-01	JB4-02	JB4-03
1	Input range (g)	±30g	±30g	±30g
2	Bias (mg)	<10mg	<15mg	<15mg
3	One-month composite repeatability (μg)	<50μg	<200μg	<200μg
4	Temperature sensitivity (μg/°C)	<50μg/°C	<100μg/°C	<100μg/°C
5	Scale factor (mA/g)	1.1~1.3 mA/g	1.1~1.3 mA/g	1.1~1.3mA/g
6	One-month composite repeatability (ppm)	<80 ppm	<150 ppm	<150 ppm
7	Temperature sensitivity (ppm)	<100ppm	<200ppm	<200ppm
8	Axis misalignment (μrad)	<1500μrad	<1500μrad	<1500μrad
9	Vibration rectification (μg/g ² rms)	<30μg/g ² rms (50-500Hz)	<100μg/g ² rms (50-500Hz)	<100μg/g ² rms (50-500Hz)
10	Intrinsic noise (μg-rms)	<3000μg-rms (0-10000Hz)	<3000μg-rms (0-10000Hz)	<3000μg-rms (0-10000Hz)
11	Operating temperature range (°C)	-55~96°C	-55~155°C	-55~180°C
12	Shock (g)	500 g 0.5ms	1000 g 0.5ms	1000 g 0.5ms
13	Vibration peak sine (g)	25 g @30-500Hz	25 g @30-500Hz	25 g @30-500Hz
14	Resolution /threshold (μg)	<10μg	<10μg	<10μg
15	Bandwidth (Hz)	>300 Hz	>300 Hz	>300 Hz
16	Quiescent current per supply (mA)	<20 mA	<20 mA	<20 mA
17	Quiescent power (mW)@ ±15VDC	<480 mW	<480 mW	<480 mW
18	Input voltage	±13 to ±18V	±13 to ±18V	±13 to ±18V
19	Weight (grams)	<55g	<55g	<55g
20	Diameter below mounting surface	Φ25mm	Φ25mm	Φ25mm
21	Height-bottom to mounting surface (inches)	<21.5mm	<21.5mm	<21.5mm
22	Case material	300 series stainless steel	300 series stainless steel	300 series stainless steel

DISCLAIMER: Specifications are subject to change without notice. kaituo reserves the right to make changes to any product or technology herein to improve reliability, function or design.

Tel: +8613785430963 E-mail: ktjntm2020@vip.163.com

Wechat: 1487974841 <http://www.ktjmyq.com> and en.ktjmyq.com

Updated in March 2023

