
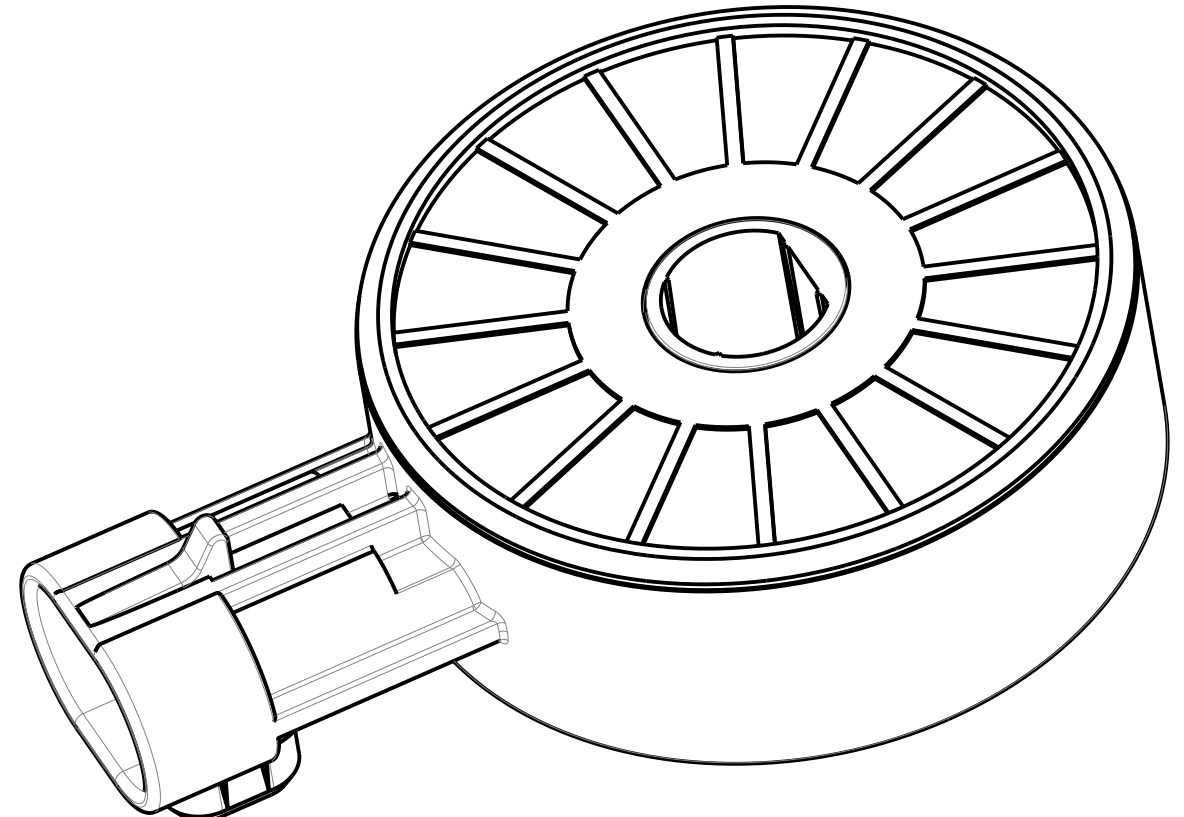


GEAR POSITION	BELL CRANK POSITION	$\Omega$
PARK	90°	620
REVERSE	30°	300
NEUTRAL	0°	160
LOW	-30°	24
HI	-90°	75
UNSPECIFIED		1000



CONNECTOR

(C) COLOR: HOUSING-BLACK  
COVER-MEDIUM GRAY

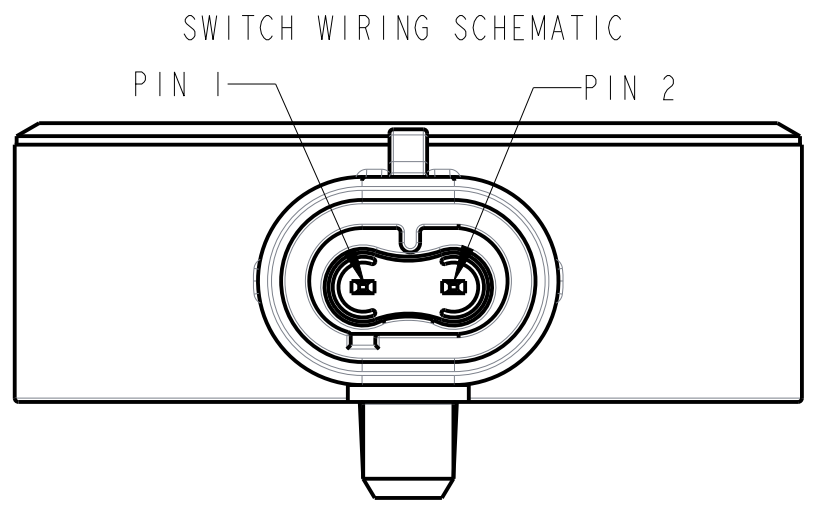
PIN FUNCTIONS:  
SEE GEAR POSITION TABLE  
FOR IMPEDANCE VALUES

MAX POWER RATING: 1/8 WATT

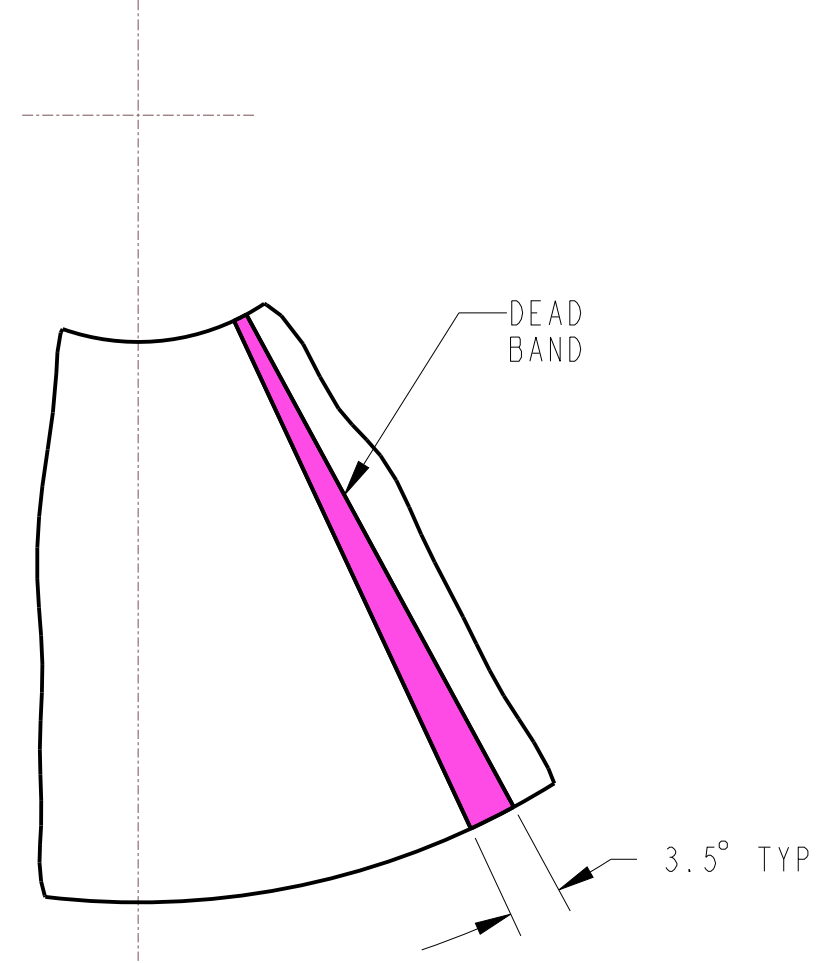
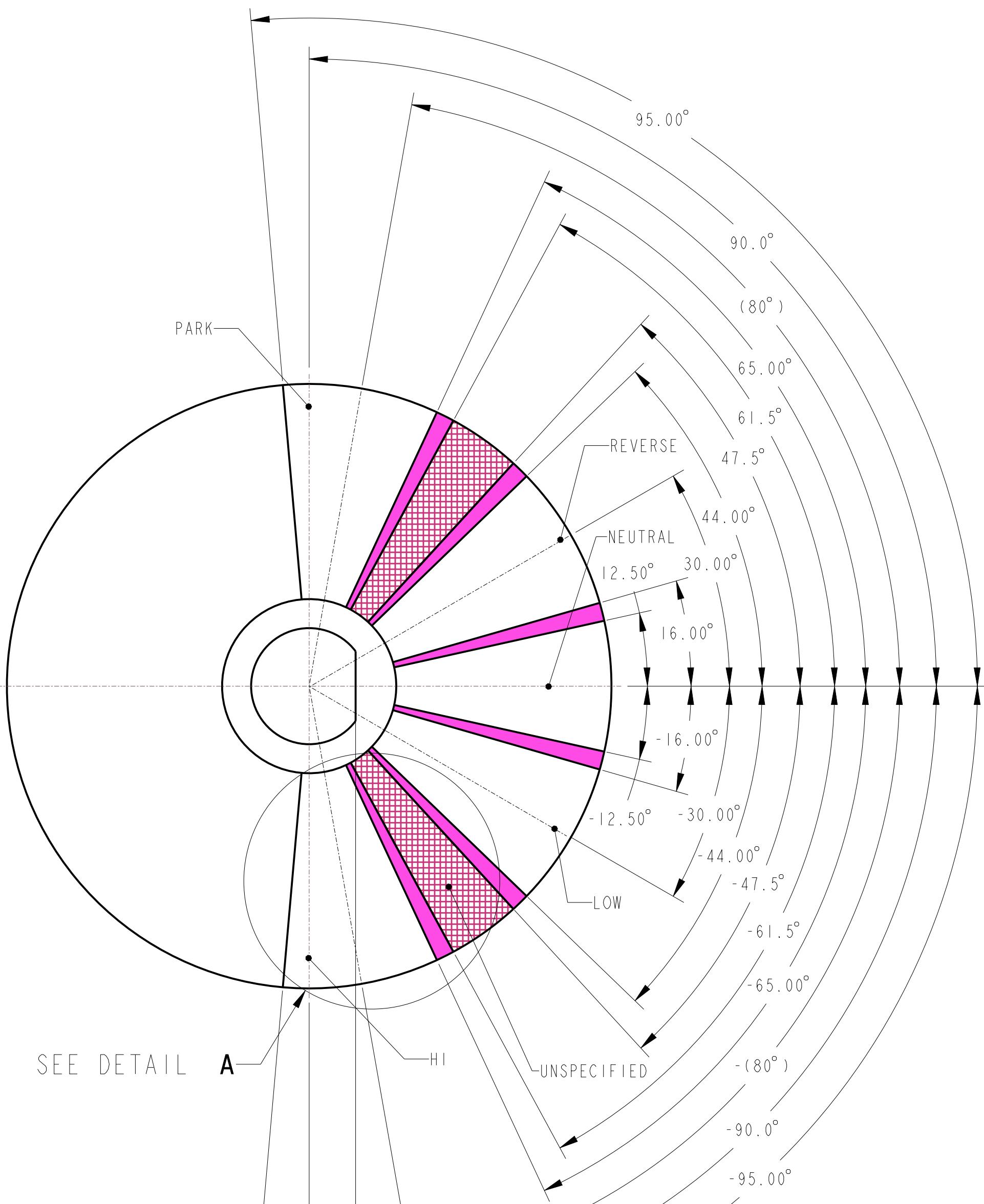
CONNECTOR: DELPHI METRI-PACK ISO  
MALE TERMINAL

MATES W/DELPHI #12052641

(C) ENVIRONMENTAL SPECIFICATION: IP67



END VIEW SWITCH, ROTARY 2 PIN



DETAIL A  
SCALE 4:1

SEE DETAIL A

ITEM	PART NO.	PART NAME	QTY.
MASS: 33.84 g		VOLUME: 27167 mm3	
UNLESS OTHERWISE SPECIFIED: TOLERANCE: X ± 0.5 XX ± 0.25 XXX ± 0.130 ANGLE ± 1.0°		METRIC DRAWING - mm	
THIS DRAWING CONFORMS TO ASME Y14.5M - 1994 FOR DOCUMENTATION PRACTICES		CONFIDENTIAL PROPERTY OF	
THIRD ANGLE PROJECTION		PRODUCT LINE 3D MODEL - Creo	
SCALE 2:1		ENGINE NAME DATE	
DO NOT SCALE PRINT		DRAWN BY M.PULSE 11-MAR-15	
MATERIAL AND SPECIFICATIONS		DESIGNER T.RADKE 11-MAR-15	
SEE ABOVE		CHECKER -- --	
		ENGINEER J.PETERMAN 11-MAR-15	
		PART NO. 4016167	
		SIZE C	
		REV C	
		SHEET NO. 1 OF 1	

REV	APR	DESCRIPTION	BY	DATE
C		UPDATE NOTES	AS	27-JAN-16
B		UPDATED ANGLES	MAP	21-DEC-15
A		PRELIMINARY	TCR	11-MAR-15
				WIP
				27-JAN-16